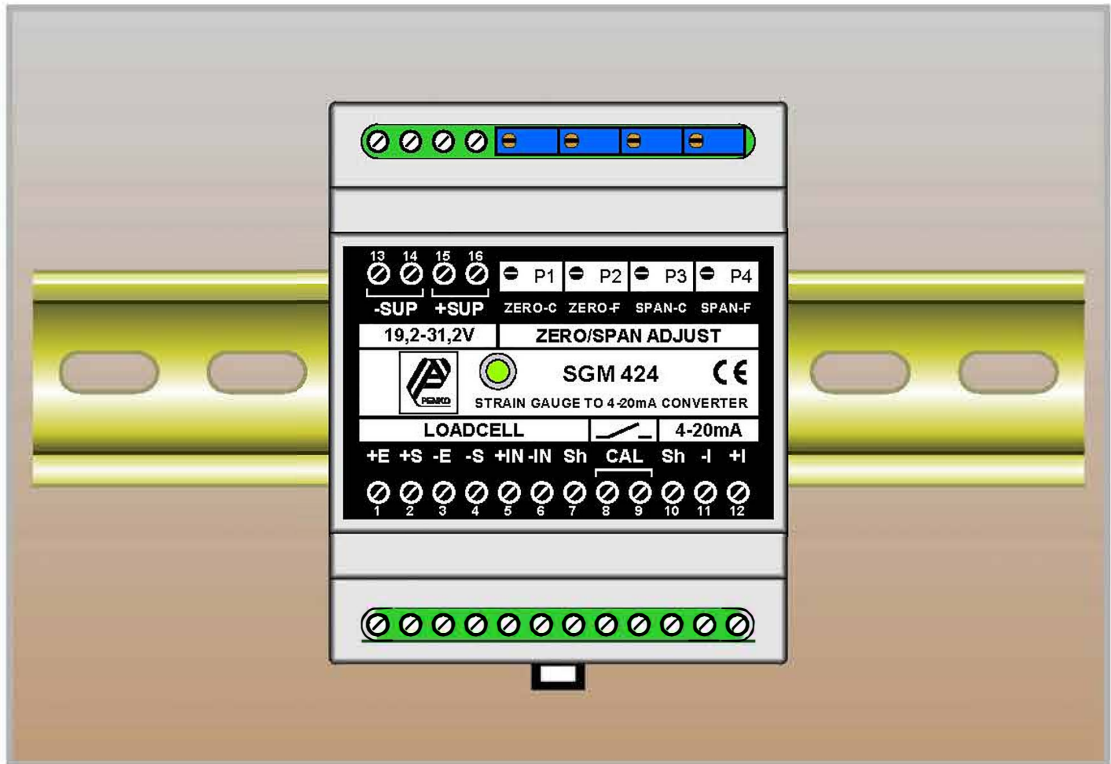


PENKO

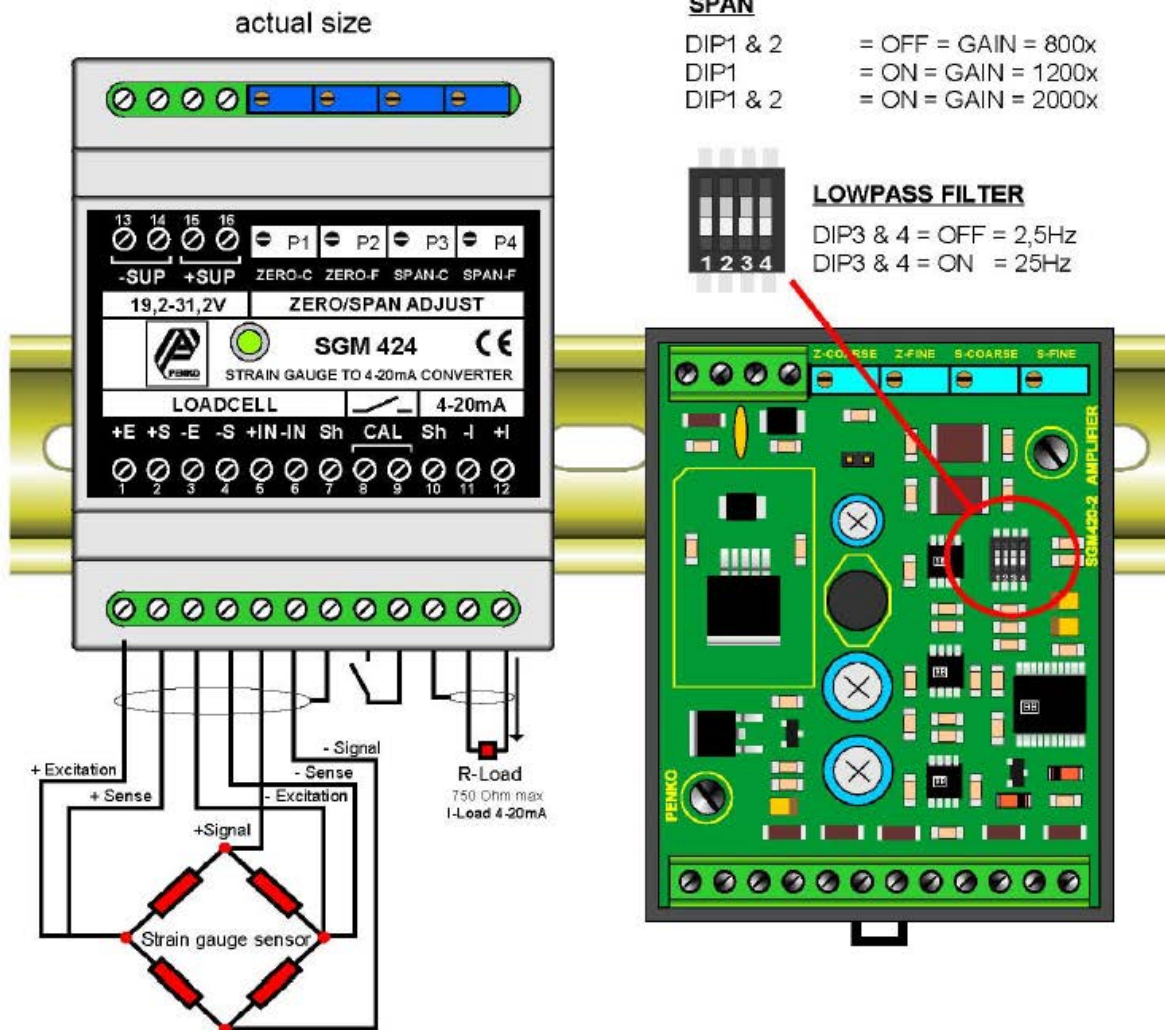
SGM424



## STRAIN GAUGE TO 4-20 mA CONVERTER SGM424

- Strain gauge input 0-20mV
- 4-20 mA source output two wire system
- Wide power supply range 24Vdc (-20% to +30%)
- PLC compatible
- 12 bits linearity
- Zero and span adjustable by 25 turns potentiometer
- Suitable for up to 8 loadcells
- Rail-mounting (EN 50.022-35x7.7)
- Industrial ABS Module housing
- High efficiency
- Calibration input

## connections:



## Specifications:

Power supply:	24 Vdc (19.2V - 31.2V max.)
Bridge excitation:	10 Vdc
Number of loadcells:	1-4 loadcells of 350 Ohm or 1-8 loadcells of 1kOhm.
Signal input range:	0-20 mV
Safe input voltage:	0-18 V
Output:	4-20 mA
Input Impedance:	10 Gohm
Linearity:	0.02%, 12 bits
Temperature effects:	on zero 0.005%/deg C, on span 0.0025%/deg C of FS ( gain=800)
Analog filter	2.5Hz or 25Hz (2.5Hz standard, 25Hz selectable inside)
Tarra range:	up to 75% (2mV/V loadcells)
Span range:	10% to 100% (2mV/V loadcells)
Calibration input:	potential free contact
Consumption:	3.5 Watt (4 loadcells of 350 Ohm)
Dimensions:	70 x 85 x 60 mm.
Weight:	200g.
Case:	DIN case acc. IEC 529/DIN VDE 0470-1.ABS plastic.

Galvanic isolation from the power supply optional.  
other input ranges or filter frequencies on request.

Technical improvements may cause the specifications to change.

